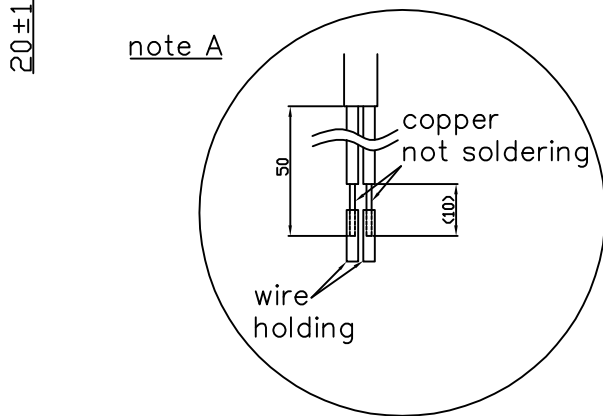
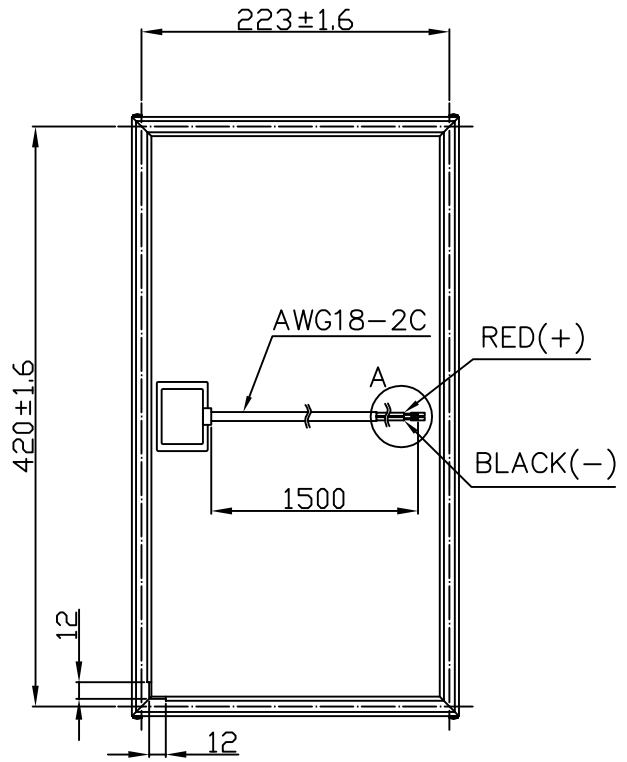
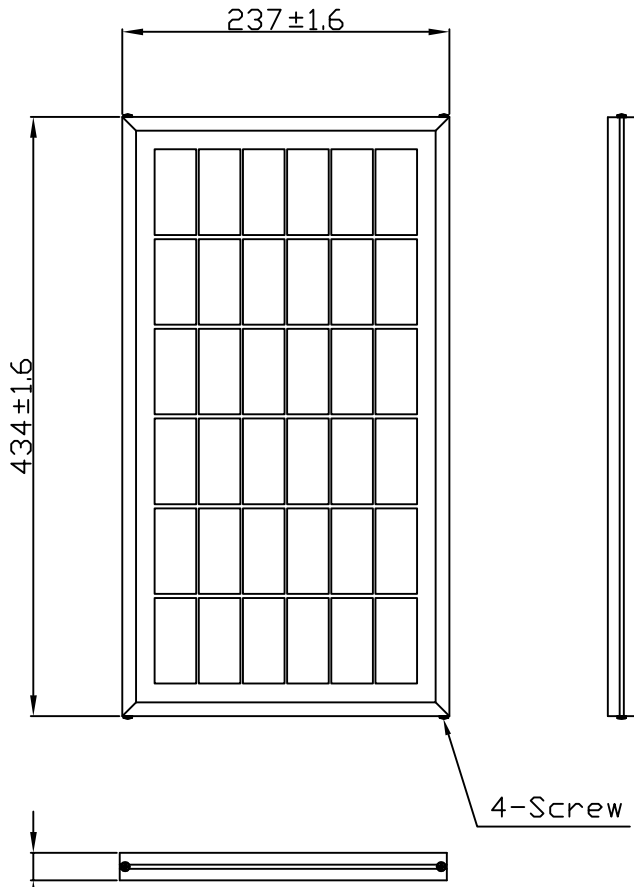


RevNo	Date	Revision note	Signature	Checked
A	-	-	-	-
B	-	-	-	-
C	-	-	-	-

9.6W Module(Standard Frame)  
<Unit : mm>



Open Circuit Voltage(Voc): 21.8V  
Short Circuit Current(Isc): 0.61A  
Operating Voltage(Vpm): 17.3V  
Operating Current(Ipm): 0.56A  
Cell: Poly Crystal

Designed by	Checked by	Approved by-data	Material:	Surface Treatment:	
福島	宮脇	松島	-	-	
<b>新和工業株式会社</b> <b>SHINWA INDUSTRIAL CO., LTD.</b>			Filename:	Date:	Scale:
			S670042-D01-1	2016/4/4	FREE
			TITLE: Solar Module (9.6W) (SM-17-570-AG-P)		
			S670042-D01-1	A 4	