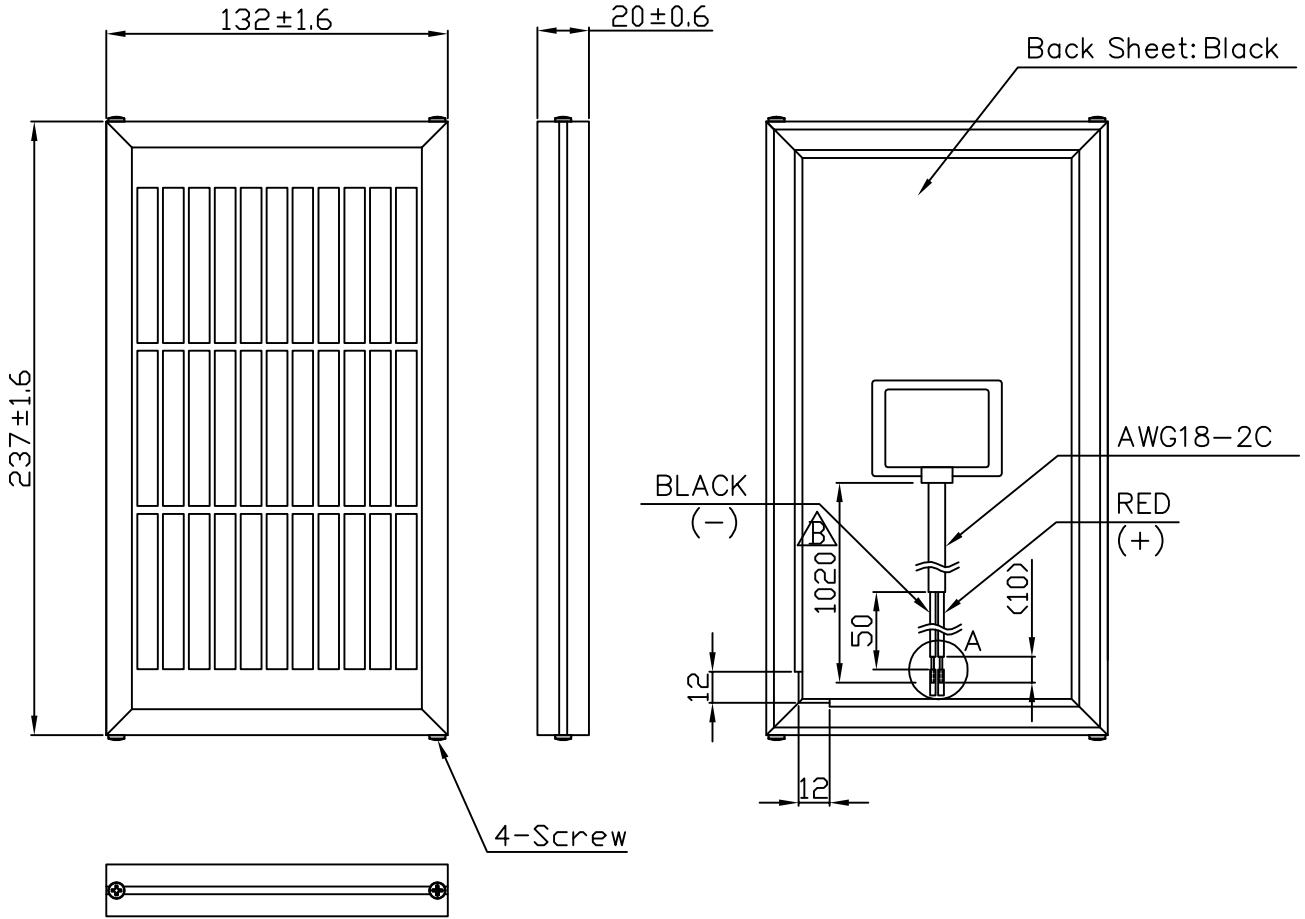
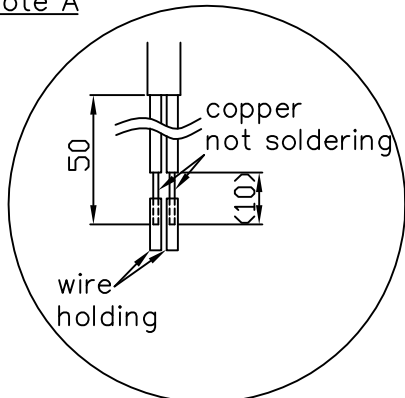


RevNo	Date	Revision note	Signature	Checked
A	2016/3/14	Cells:27→33、Back Sheet:Black、Wire's processing(note A)	福島	宮脇
B	2017/2/24	change the wire's length(920 → 1020)	福島	-
C	-	-	-	-

2.4W Module(Standard Frame)
 <Unit : mm>



note A



Open Circuit Voltage(Voc): 20.2V
 Short Circuit Current(Isc): 0.155A
 Operating Voltage(Vpm): 16.5V
 Operating Current(Ipm): 0.145A
 Cell: Mono Crystal

Designed by	Checked by	Approved by-data	Material:	Surface Treatment:	
福島	宮脇	松島	-	-	
新和互業株式会社 SHINWA INDUSTRIAL CO., LTD.			Filename:	Date:	Scale:
			S670036-D01-1	2015/12/18	FREE
			TITLE: Solar Module (2.4W) (SM-16.5-140-AG-S)		
			S670036-D01-1B	A 4	